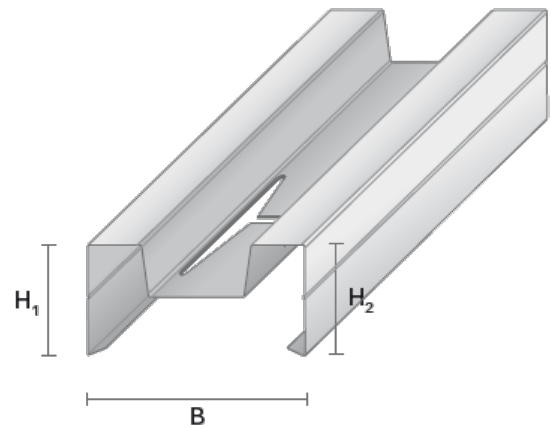


AR acoustic vertical profile

CE marked according to EN 14195 : 2014



DISCRIPTION:

AR acoustic vertical profile is made of 0.45mm hot-dip galvanized steel. The AVP profile is designed to meet the requirements for increased sound absorption of partitions.

The sigma-shaped cross-section of the profile effectively reduces sound transmission. The profile has an asymmetric cross-section, which allows the profiles to be extended because they can be overlapped inside each other.

The 40mm flanges have a roughness and a center line rolled in to facilitate the installation of screws and fitting of the boards.

The profiles are equipped with H-shaped openings for cables and pipes. The profiles are bundled with plastic tape and packed on pallets.

PERFORMANCE

Fire class	A1
Braking strength	270 – 500 MPa
Hazardous substances	NPD
Environment class	C1
Material	Steel DX51D
Coating	Zink 100 Gr/m ²

USAGE:

AR vertical profiles are used as frame posts together with Profiline SKE and SKT horizontal profiles for the construction of the steel frame of partition walls with increased sound absorption requirements.

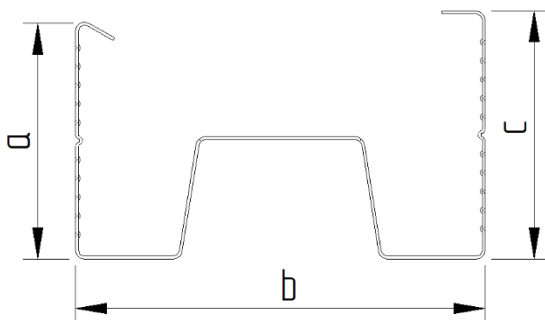
The frame will be covered with plasterboard or other board material according to the need or the requirements.

If necessary, the profiles can be cut to size with sheet metal scissors or a hacksaw.

Profiles can be stored in a dry and clean environment.

Steel scraps are 100% recyclable.

PRODUCT	LENGTH mm	BUNDLE pc	PALLET pc
AR66/40	2700; 3000; 3600	8	144
AR70/40	2700; 3000; 3600	8	144
AR95/40	2700; 3000; 3600	8	120
AR120/40	2700; 3000; 3600	4	96



PRODUCT	A	B	C
AR66/40	40	66	40
AR70/40	40	70	40
AR95/40	40	95	40
AR120/40	40	120	40